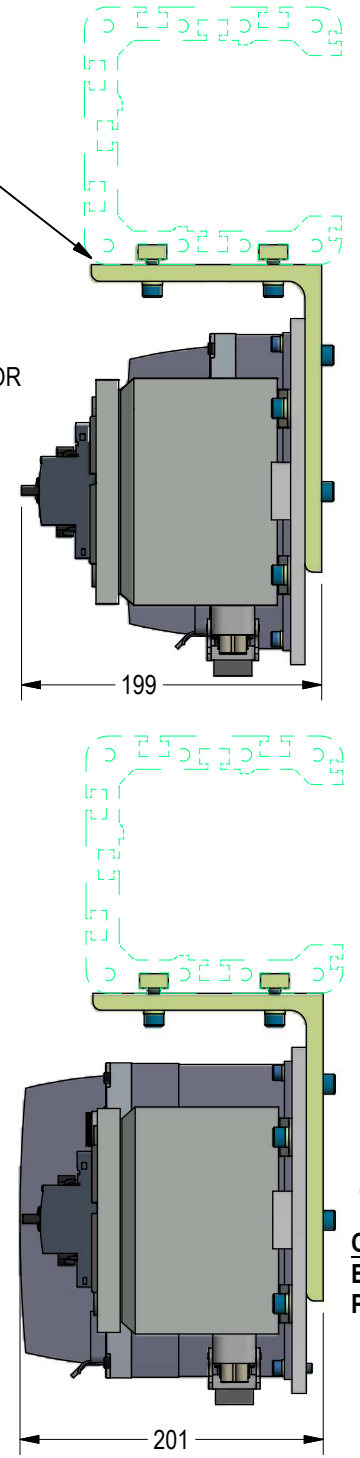


ON MACHINE MOUNTED DRIVE FOR 1 OR 3 HP VFD SINGLE AXIS
 (DUAL AXIS WILL REQUIRE 2 DRIVES)
 (SERVO DRIVE OPTION AVAILABLE)



1 HP ORDER # **S02636** - []

CONTROL TYPE
 E = ETHERNET
 P = PROFINET

3 HP ORDER # **S02637** - []

CONTROL TYPE
 E = ETHERNET
 P = PROFINET

UNITS ARE MILLIMETERS
 (i.e.X.XXmm [x.xxx"])
 DO NOT SCALE DRAWING

WELKER BEARING COMPANY					
TOOL NAME SIEMENS 1HP & 3HP ETHERNET/PROFINET CONTROL SET					
TEMPLATE					
DRAWN BY KPL	DATE 2/2/2018	CHK'D BY TMZ	ENG APPROVAL		
DATE 2/2/2018	STATUS Released	SCALE NONE	FILE NAME	S02636L01	