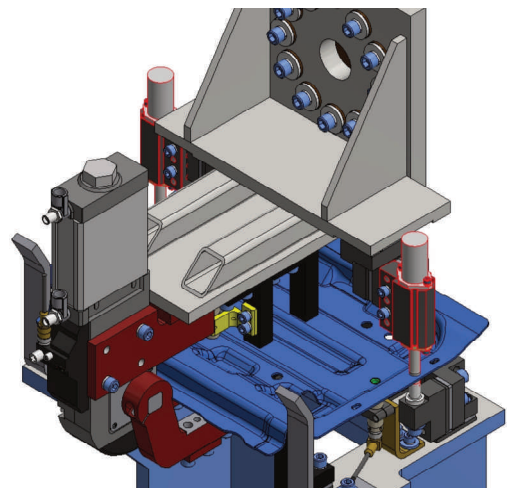
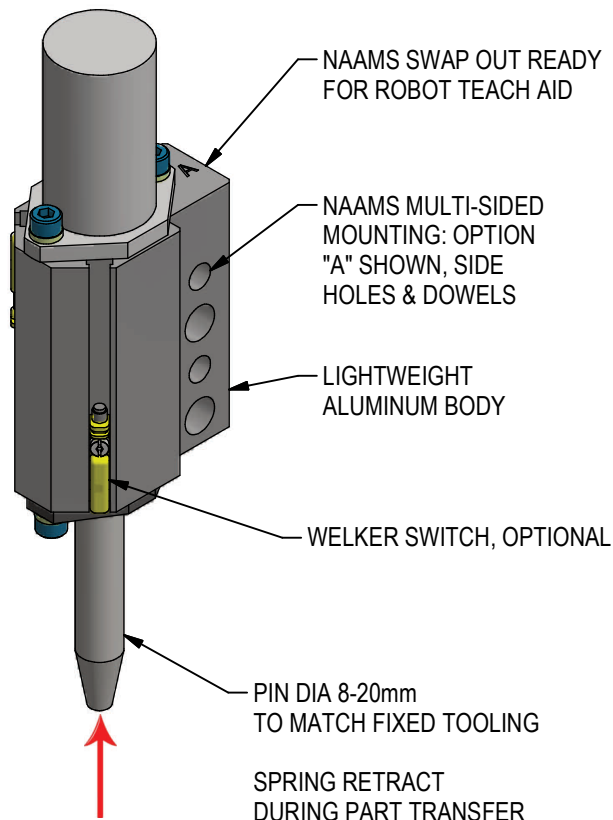
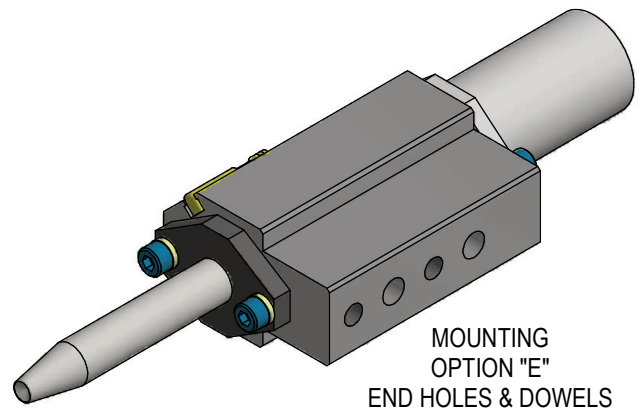


## RTP ROBOT TRANSFER PIN

- 8 - 20mm PIN DIAMETERS
- ROUND PIN ONLY, NO ANTI-ROTATE
- 50mm STROKE, SPRING LOADED

CONCAVE PIN TIP MEETS THE FIXTURE'S LOCATING PIN AND MAINTAINS SPRING FORCE CONTACT, WHILE PART IS TRANSFERRED.

PIN-TO-PIN TRANSFER ALLOWS USE OF THE SAME HOLES IN PARTS WITHOUT USING NONTOLERANCE HOLES.



### APPLICATIONS:

ROBOT TEACH AID  
END OF ARM TOOLING  
PASS TABLE  
LOAD TABLE  
MATERIAL HANDLING  
PASS-OFF APPLICATION

RELEASED 3/30/21

# ORDERING INFORMATION



**Pin Diameter**

**XXXX** (i.e. 8.00mm Pin = 0800)  
8.00mm-20.00mm Dia Range

**Body Style**

- A** 11.0 Dia thru & 8.00 Dia Dowels (Side)
- B** M10 Tap thru & 8.00 Dia Dowels (Side)
- C** 9.0 Dia thru & 8.00 Dia Dowels (Side)
- D** M8 Tap thru & 8.00 Dia Dowels (Side)
- E** M8 Tap & 8.00 Dia Dowels (End)

**Switch**

- 00** No Switch
- L3** Welker Solid State Cylinder Switch\*\*

**Spring**

- 0** Standard Spring
- 1** Light Load Spring

GOOD APPLICATIONS:

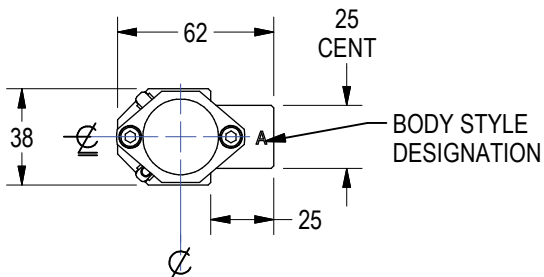
- ROBOT TEACH AID
- END OF ARM TOOLING
- PASS TABLE
- LOAD TABLE
- MATERIAL HANDLING
- PASS-OFF APPLICATION

BAD APPLICATIONS:

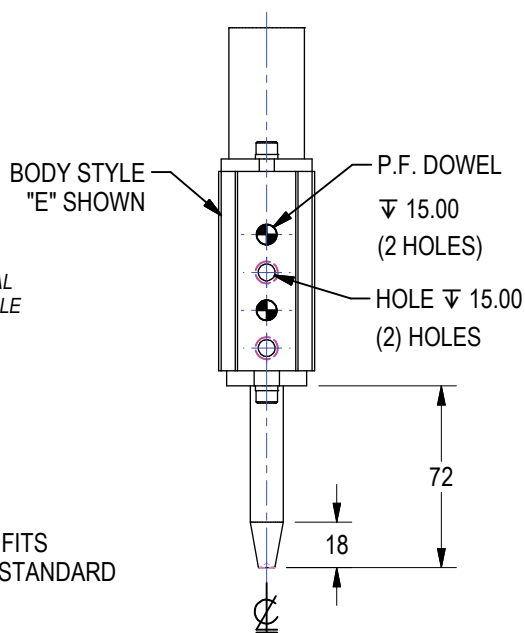
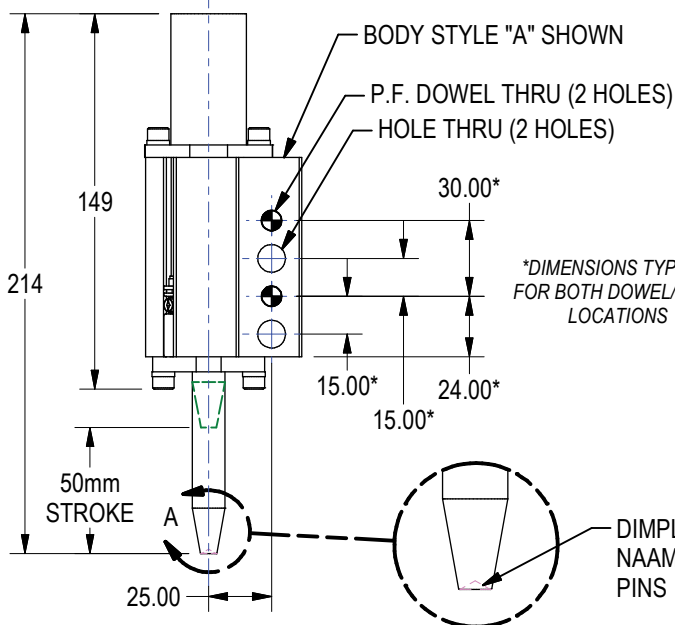
- NO-HOLE
- PARTS NOT CLAMPED
- PICK MISALIGNED
- PIN LINE-UP NOT THE SAME ANGLE

SPRING PRESSURE		
SPRING:	STANDARD	LIGHT LOAD
PIN EXTEND	5.0 LBS	3.0 LBS
PIN RETURNED	25.0 LBS	16.0 LBS
MAX COMPRESSION	50.0mm	50.0mm

## GENERAL DIMENSIONS



BODY STYLE	DOWELS	HOLES	LOCATION
A	8.00	11.00	SIDE
B	8.00	M10x1.5 TAP	SIDE
C	8.00	9.00	SIDE
D	8.00	M8x1.25 TAP	SIDE
E	8.00	M8x1.25 TAP	END



\*\*L3 switch is weld field immune, comparable to World Switches. Note that some mid and low frequency DC resistance applications (i.e. aluminum resistance welding applications) may cause a fault. In these applications, it is recommended that the sensor be ignored/bypassed during the welding cycle.

(DO NOT SCALE DRAWING)

**ENGINEERED PRODUCTS**

800-229-0890 [www.welkerproducts.com](http://www.welkerproducts.com)

## REPLACEMENT PARTS

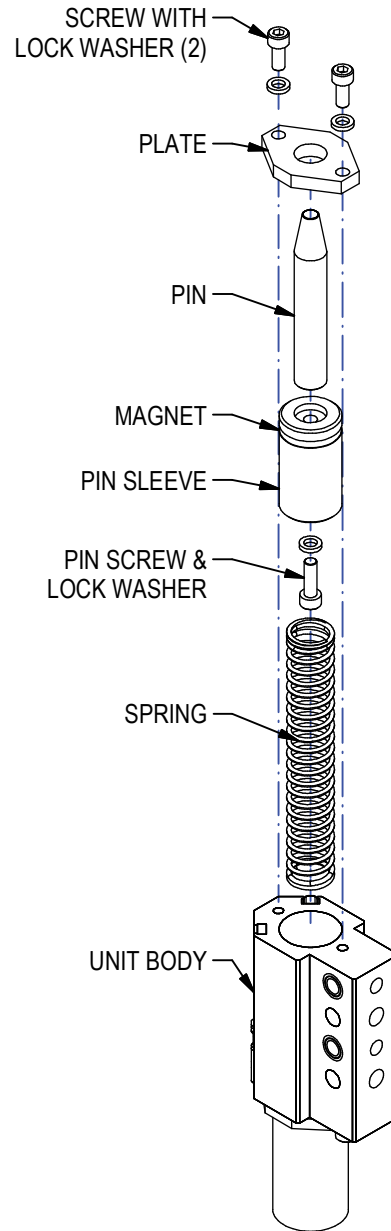
QTY	STOCK*	DESCRIPTION	PART NUMBER
1		STANDARD SPRING	S-1174
1		LIGHT LOAD SPRING	12064
1	1	PIN: ORDER BY PIN DIAMETER, 8.00-20.00mm EXAMPLE: 9.85 DIAMETER PIN = RTP-0985	RTP-(PIN DIA)
1	1	SWITCH	SWITCH L3

\*RECOMMENDED SPARE PARTS TO KEEP IN STOCK

### TO REPLACE PIN AND/OR SPRING:

**NOTE: COMPRESSION SPRING IS UNDER LIGHT PRESSURE**

1. DISCONNECT AIR LINES TO UNIT.
2. REMOVE M5 SCREWS & LOCK WASHERS SECURING PLATE TO UNIT BODY.
3. REMOVE PLATE.
4. REMOVE PIN SLEEVE ASSEMBLY AND SPRING.
5. REMOVE PIN SCREW & LOCK WASHER SECURING PIN TO SLEEVE.
6. INSTALL NEW PIN TO PIN SLEEVE, SECURING WITH PIN SCREW & LOCK WASHER. APPLY REMOVEABLE THREAD ADHESIVE TO SCREW.
7. APPLY MAGNALUBE-G OR EQUIVALENT TO PIN SLEEVE INSIDE & OUT, SPRING, AND UNIT BODY BORE.
8. INSTALL SPRING TO PIN SLEEVE.
9. REASSEMBLE UNIT. APPLY REMOVEABLE THREAD ADHESIVE TO SCREWS. TORQUE TO VALUES SHOWN IN CHART.



<b>Tightening Torques for Metric Bolts (dry)</b>				
Size	Steel		Aluminum	
M5	10.0 Nm	7.4 ft lb.	5.0 Nm	3.7 ft lb.
M6	19.0 Nm	14.0 ft lb.	9.5 Nm	7.0 ft lb.
M8	45.0 Nm	33.2 ft lb.	22.5 Nm	16.6 ft lb.
M10	89.0 Nm	65.6 ft lb.	44.5 Nm	32.8 ft lb.
M12	156.0 Nm	115.1 ft lb.	78.0 Nm	57.5 ft lb.

(DO NOT SCALE DRAWING)

**WELKER**  
ENGINEERED PRODUCTS  
800-229-0890 [www.welkerproducts.com](http://www.welkerproducts.com)