

In this Issue:

Welker Anniversary

Engineering Spotlight: Slide Calculator

Automate 2022

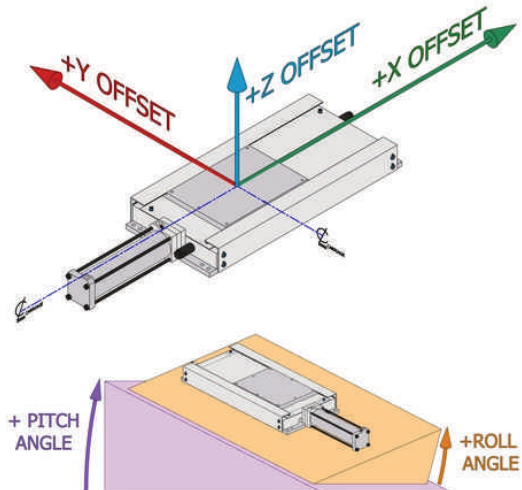
Welker is 50!

In 2022, Welker is celebrating the 50th anniversary of its founding in 1972. Over the decades, Welker has grown from a bearing supply company to a leading automation component design and manufacturer, bringing many innovative products to market. While the company's services and operations have expanded, Welker's commitment to quality and customer service has remained constant.



New Slide Calculator

Welker is beta testing a new online calculator for powered slides to help verify your slide selection or find a suitable slide for your application. Easy to use – enter stroke, payload, offsets, and unit inclines. The calculator will determine the available capacity or indicate the alternate slide(s) suited to handle your payload. Available soon!



How are we doing?

Please take a minute to complete our quick 3-question online survey:

[Click here](#)

Save the date!

Welker will be exhibiting at Automate, June 6-9, at the Huntington Center in Detroit (formerly Cobo Hall). Automate is the largest solutions-based showcase of automation technologies in North America. Stop by booth #1238 and say hello to the Sales Team!

