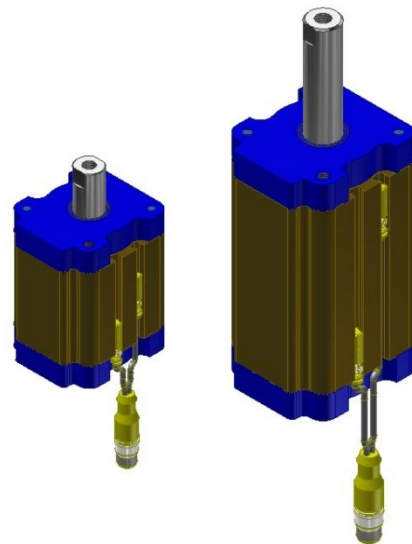


WELKER POKA-YOKE

A simple, cost effective way to reduce part loading errors. The unit is completely sealed and mechanically operated – requires no air or electric.

Features:

- 15 or 50mm detection range
- Minimal part pressure <25 lbs.
- Tapped rod for custom probes
- Sealed construction for contaminated environments
- Lightweight aluminum construction: ideal for end effectors
- Includes two solid state switches
- Versatile three mounting surfaces



Applications:

Mechanical stack detection, 50mm stroke

Nut detection, 15mm stroke

Hole detection, 15 or 50mm stroke