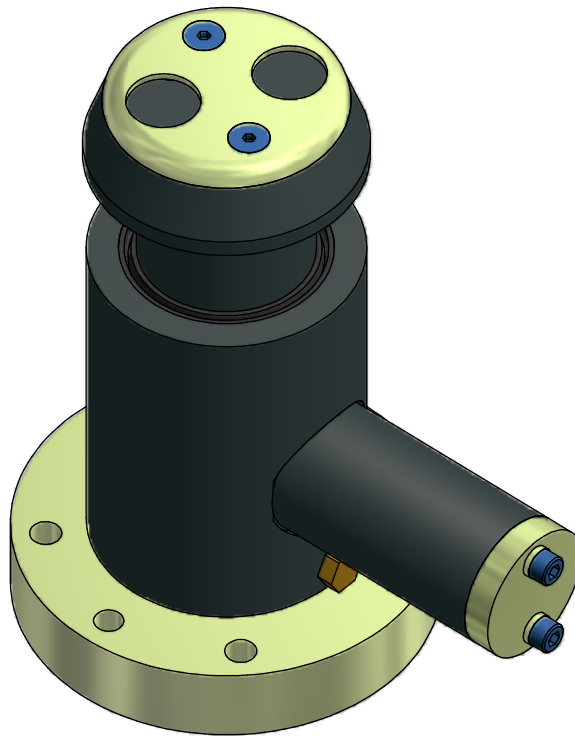


## ***MAINTENANCE MANUAL*** ***WD3 AUTO-INDEXING DIMPLER***



# MAINTENANCE

## **SAFETY FIRST!**

MAINTENANCE SHOULD ONLY BE PERFORMED BY QUALIFIED PERSONNEL. PROPER SAFETY GEAR AND PROCEDURES MUST BE USED AT ALL TIMES.

PREVENTATIVE MAINTENANCE: Regularly inspect unit to verify proper operation. Check for debris build up and clean as needed.

# TROUBLESHOOTING

FAILURE	POSSIBLE CAUSE	SOLUTION
Unit does not extend.	Main spring failure	Inspect unit for dirt/debris. Replace main housing spring.
Unit does not rotate on cycle.	Plunger spring failure. Dial pin missing.	Replace plunger spring. Make sure dial pin is installed in plunger housing before inserting new plunger spring.

# REPLACEMENT PARTS

QTY	STOCK*	DESCRIPTION	PART NUMBER
1	1	MAIN SPRING	R19-050 GREEN
1	1	PLUNGER SPRING	R12-010 GREEN
1	1	DIAL PIN	WD3E04

**NOTE: SCREWS MAY BE UNDER SPRING PRESSURE. PROCEED WITH CAUTION!**

## TO REPLACE PLUNGER SPRING

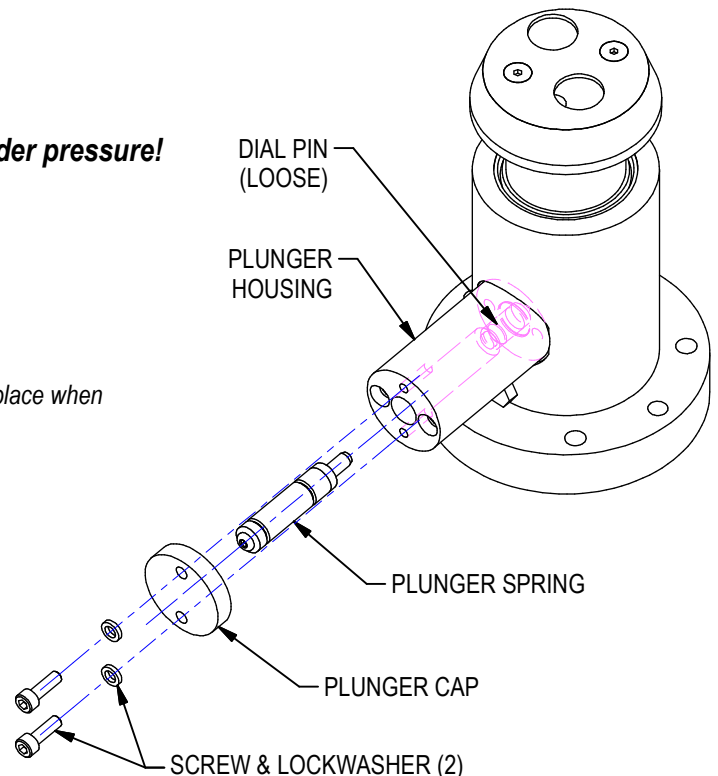
**NOTE: Take caution when disassembling! Unit is under pressure!**

1. Remove screws & lock washers securing plunger cap.
2. Remove plunger cap.
3. Remove plunger spring from plunger housing.

**NOTE: Dial pin is loose inside plunger housing. Be sure to keep in place when removing spring.**



4. Install new plunger spring.
5. Install plunger cap with screws & lock washers.



## TO REPLACE MAIN SPRING

**NOTE: Take caution when disassembling! Unit is under pressure!**

1. Remove unit from application.
2. Remove retainer screws & lock washers.
3. Remove spring retainer (a nylon spring ring is located on underside of retainer, holding thrust washer and thrust bearing in place).
4. Remove and replace main spring.
5. Install spring retainer using screws & lock washers.
6. Return unit to application.

**NOTE: SCREWS MAY BE UNDER SPRING PRESSURE. PROCEED WITH CAUTION!**

