

**REGULATOR NOTE:**  
 MIN OUTPUT FORCE IS 45lbf @ 16psi  
 REGULATORS ARE NPT PORTS ONLY

**ORDERING INFORMATION**

S 0 2 6 4 5 - 0 2 5

**Port Type**

- N NPT Ports
- G G Ports

**Port Location**

- 1 "1" Shown (2, 3 or 4)

**Switch**

- 00 No switch
- L3 Welker Cylinder Switch

**Nose Option**

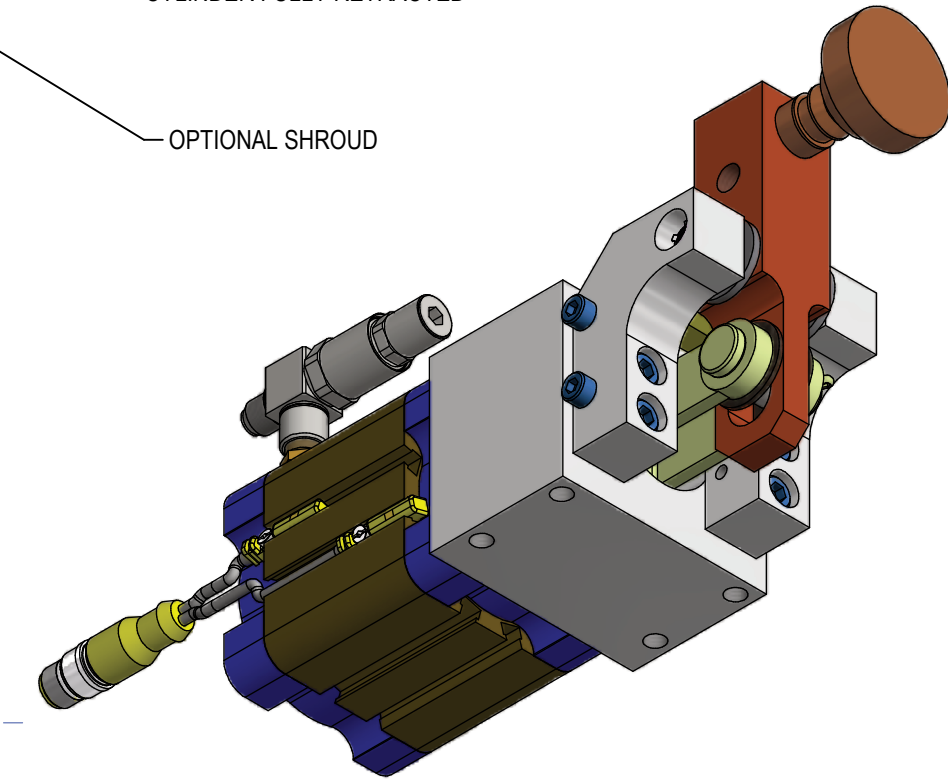
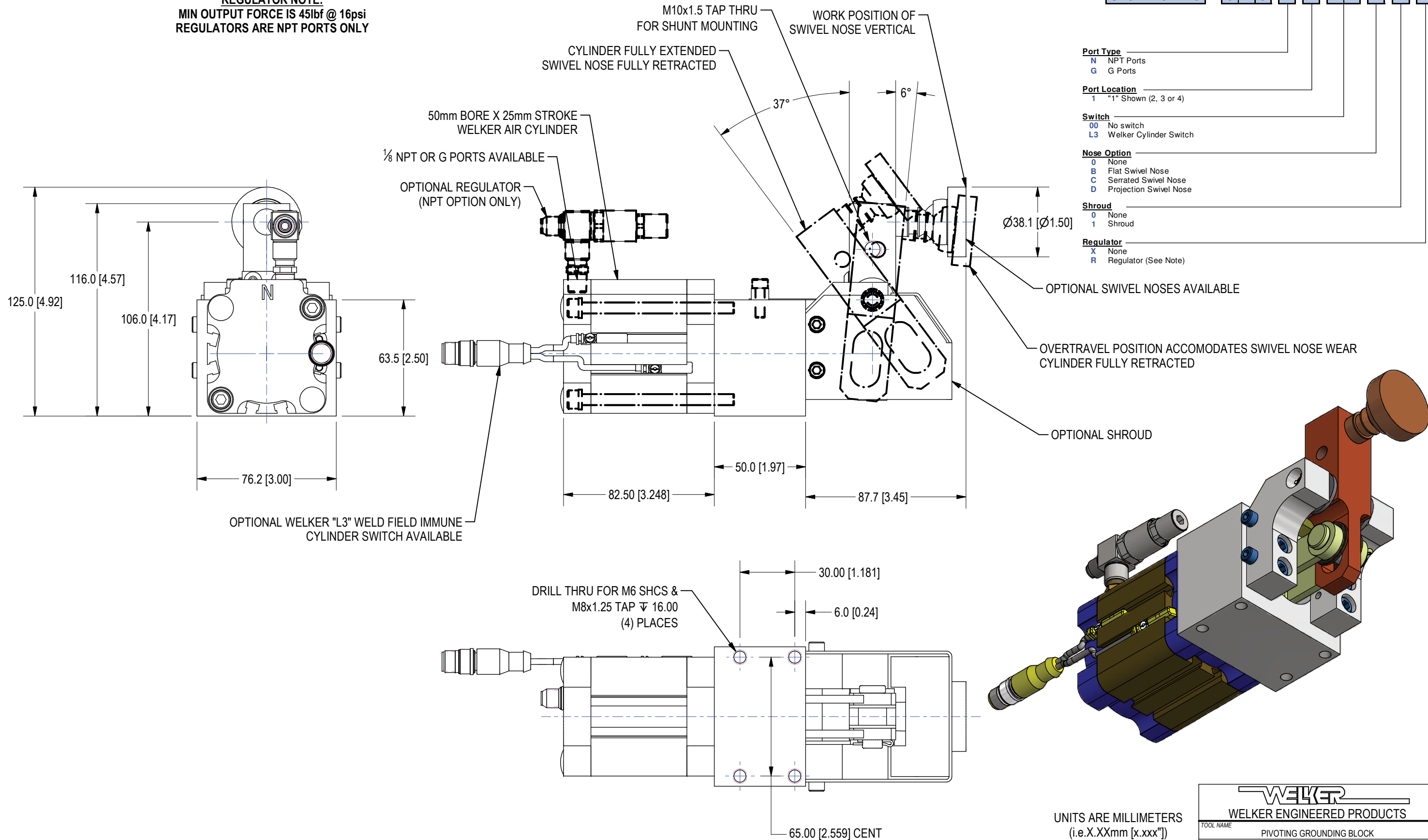
- 0 None
- B Flat Swivel Nose
- C Serrated Swivel Nose
- D Projection Swivel Nose

**Shroud**

- 0 None
- 1 Shroud

**Regulator**

- X None
- R Regulator (See Note)



UNITS ARE MILLIMETERS  
 (i.e.X.XXmm [x.xxx"])  
 DO NOT SCALE DRAWING

<b>WELKER</b>					
WELKER ENGINEERED PRODUCTS					
TOOL NAME PIVOTING GROUNDING BLOCK					
TEMPLATE					
DATE	STATUS	DRAWN BY	DATE	CHK'D BY	ENG APPROVAL
10/18/2017	Released	DJH	10/11/2017	AMD	
SCALE 1/2		FILE NAME		S02645L01	